



(12) **EUROPEAN PATENT APPLICATION**

(43) Date of publication:
25.06.2003 Bulletin 2003/26

(51) Int Cl.7: **A61C 8/00**

(21) Application number: **01830776.9**

(22) Date of filing: **18.12.2001**

(84) Designated Contracting States:
AT BE CH CY DE DK ES FI FR GB GR IE IT LI LU
MC NL PT SE TR
 Designated Extension States:
AL LT LV MK RO SI

(72) Inventor: **Tizzoni, Riccardo**
20122 Milano (IT)

(74) Representative: **Petruzzello, Aldo et al**
Racheli & C. S p A
Viale San Michele del Carso, 4
20144 Milano (IT)

(71) Applicant: **Tizzoni, Riccardo**
20122 Milano (IT)

(54) **Dental implant system with implant having a head with inclined walls**

(57) A dental system for dental prostheses comprises at least one implant to be installed inside a preformed hole in the bone of the maxilla or mandible, in a partially or totally edentulous patient, and an abutment engageable with the implant and intended to be used as a support and anchor for a prosthetic tooth. The implant comprises a body part and a head with engagement means for the abutment, said head (14) of the implant (10) is defined in part by inclined surfaces (s1, s2) disposed at opposite sides of a plane passing through the axis (a) of the implant and diverging in a direction from the end of the head of the implant towards the opposite end thereof, there further being defined in said head engagement means (15) for the abutment disposed in positions diametrically opposite the top of said inclined surfaces.

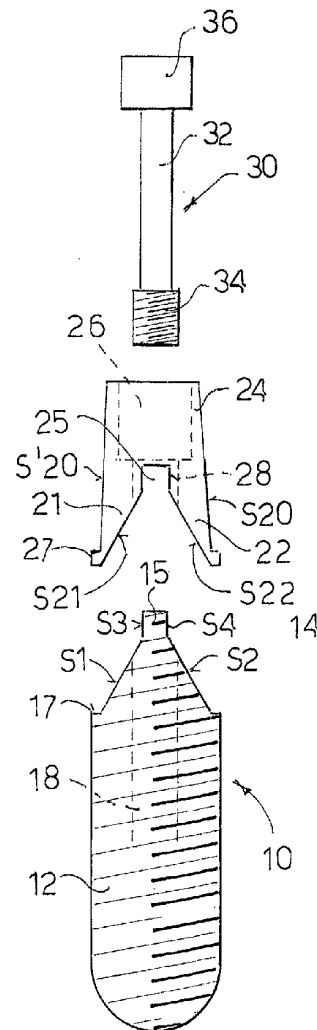


FIG. 2